

HIGH PRODUCTION TWO SIDED GRILL

*A truly **HEAVY DUTY** two sided grill built to stand up to high production operation.*

Engineered for those operators who need a clamshell grill built to take the demands of high production and excessive abuse.

Whether it's for perfectly grilled tortilla wraps*, sandwiches* or other quick grilled snacks*, these grills do the job where others fail.

The heating elements are not simply attached to the back of a spreader plate, but are cast into solid aluminum blocks resulting in far longer life expectancy and even heat distribution across the contact surfaces. With a new digital timer and an easy to operate temperature dial, perfection is a breeze. In addition, the handle assembly and lifting mechanism is perfectly balanced and is made of heavy gauge steel with the finest springs available for the job.

The CS1500 grill plates are made of polished aluminum 15" x 15" (381x381). The exterior cabinet is type 302 stainless steel.

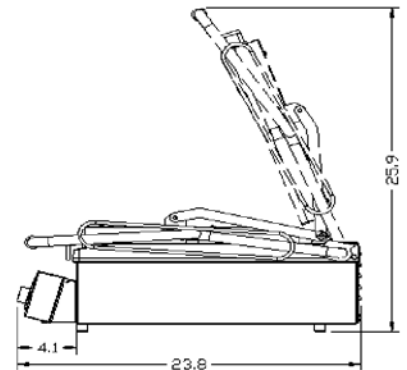
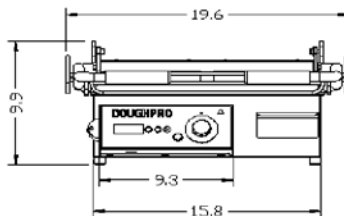


**Compare before you buy,
and our grill will sell itself!**

**Available in Smooth
or Panini**



ON/OFF Switch	Yes	Electrical Data 120v/60hz 2200w/18.3amps 220v/50/60hz 2200w/10amps
Programmable Timer	Yes	
Self Adjusting Thickness	Yes	
Temperature Control	Yes	Shipping Weight's 65 lbs. / 29 kgs.
Maximum Heat	0-450°F	



Includes 72" cord and NEMA plug.

*Specifications, Details and Prices are subject to change without prior notice.
Please call for current pricing.*

DOUGHPRO

20281 Harvill Ave, Perris CA 92570
(951) 657-0379 ¹ (800) 624-6717 ¹ Fax (951) 657-4594



STEARNS PRODUCT DEVELOPMENT CORPORATION
Website: www.doughpro.com ¹ E-Mail: info@doughpro.com