

# PROGRILL™

Model No.

# CS1500PA

## DOUGHPRO PANINI GRILL WITH ELECTRONIC TIMER

***A truly HEAVY DUTY two sided grill built to stand up to high production operation.***

- Increase your menu with the Doughpro Panini grill. You can prepare sandwiches, steaks, vegetables, chicken, burritos and many other menu items.
- Heavy duty Aluminum Platens that have our exclusive cast in heating elements that come with a LIFETIME WARRANTY!!
- Electronic timer.
- A patented hinging system that allows you to grill evenly, even with products that are 3-4" thick.
- Top and bottom grill cooks your menu items in just minutes.
- A grease trough that is located in the back right corner that feeds to a large grease drawer making it easy to clean your grill
- No conduits are used as the wiring is run through the handle thus eliminating those unsightly conduits that can build up dirt and grease.



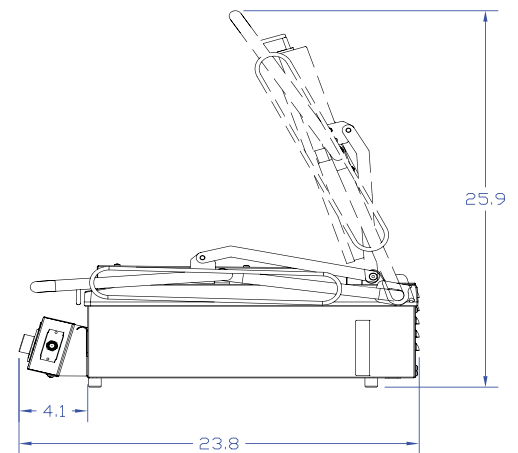
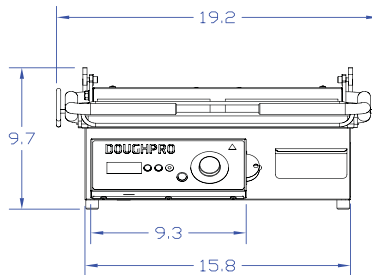
***Compare before you buy, and our grill will sell itself!***

***Available in Panini or Smooth***

Listed:



ON/OFF Switch	Yes	Electrical Data 120v/50/60hz 2200w/18.3amps
Automatic Timer	Yes	
Adjustable Thickness	No	Shipping Weight's 65 lbs./ 29 kgs.
Temperature Control	Yes	
Maximum Heat	0-450°F	



Includes 72" cord and NEMA plug.

*Specifications, Details and Prices are subject to change without prior notice. Please call for current pricing.*

### DOUGHPRO

20281 Harvill Ave, Perris CA 92570  
(951) 657-0379 (800) 624-6717 Fax (951) 657-4594

**DOUGHPRO®**  
STEARNS PRODUCT DEVELOPMENT CORPORATION  
Website: [www.doughpro.com](http://www.doughpro.com) E-Mail: [info@doughpro.com](mailto:info@doughpro.com)